



USER MANUAL

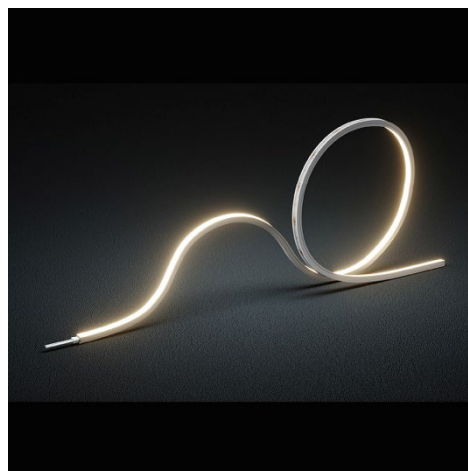
LEDLINE TINI 0606 5M 2700K NEON 24V

PARTNR: 110024

Product information

LEDLINE TINI 0606 has a cross-section of 6 mm x 6 mm, and a vertical bend with a radius of 25 mm. High light transmission and environmentally friendly silicone material.

Unique optical light distribution with no shadow. IP65 protection level, resistance to salt solutions, acids and UV protected. Equipped with 3-steps MacAdam, and provides an even and spot-free light. Suitable, for example, for: Façade-, contour- and landscape lighting, signage, architectural lighting etc.



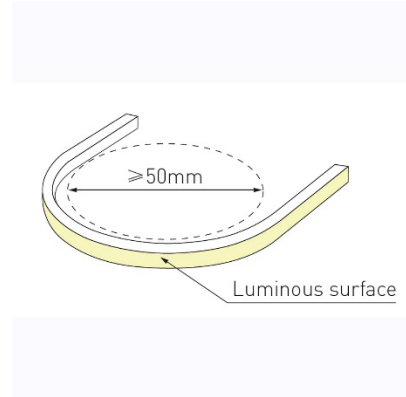
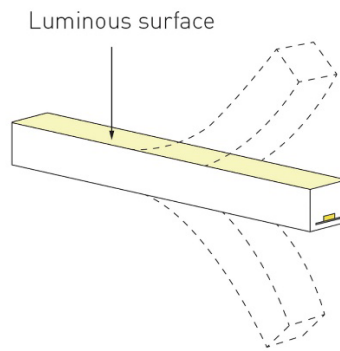
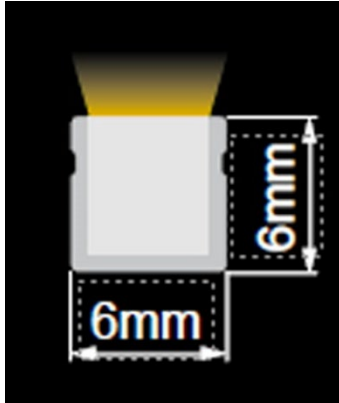
Specifications

Voltage	DC24V
Length	5 meters
Max run length	5M
Width x Height	6mm x 6mm
Unit cut	25mm
Power	6W/m
Colour temperature	2700K
Lumen	416 lm/m
Beam angle	120°
IP class	IP65
Ambient temperature	-25°C to + 55°C
LED type	Neon, 3-step MacAdam
CRI	>90
Lifetime	>36.000 hours
Dimmable	Yes
Certificates	CE, RoHS
Warranty	3 years



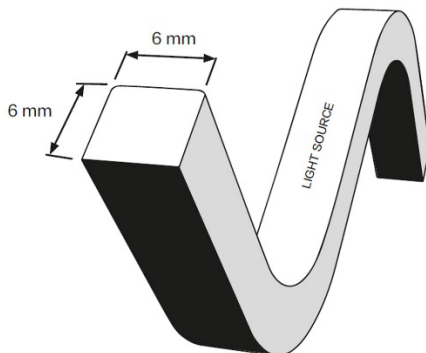
Used electrical and electronic products, including all types of batteries, must be delivered for recycling at a separate collection point. (acc. to directive 2012/19/EU and 2006/66/EC).

Cross section

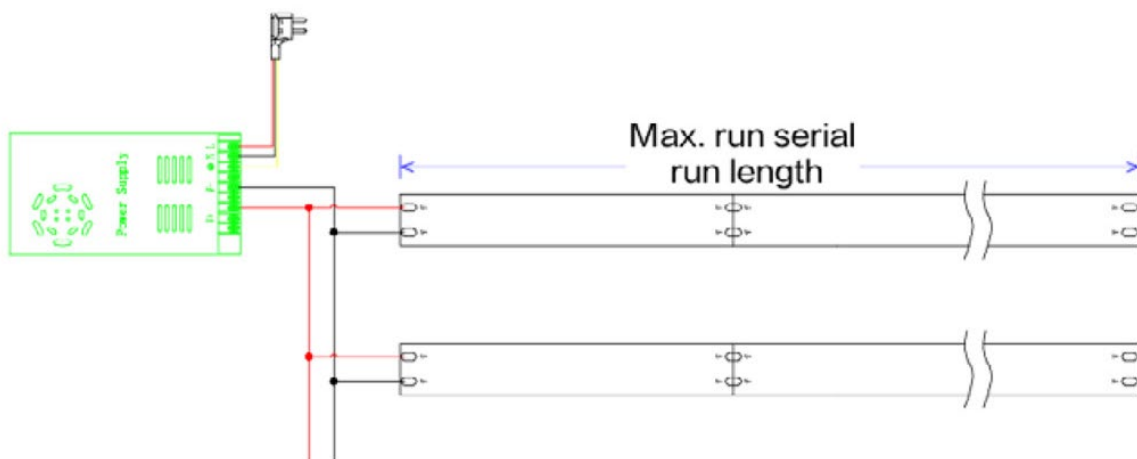


Bend vertical only

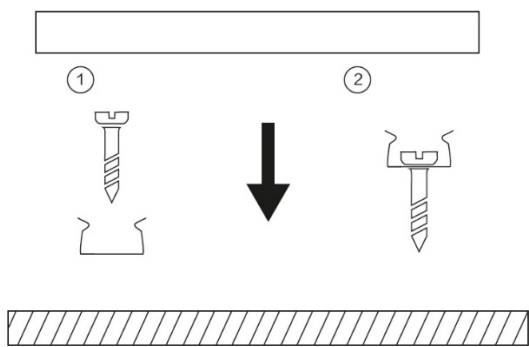
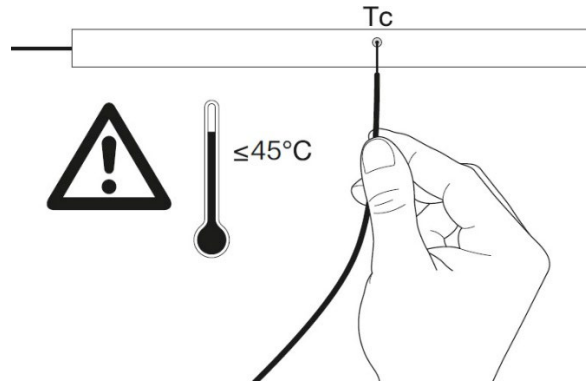
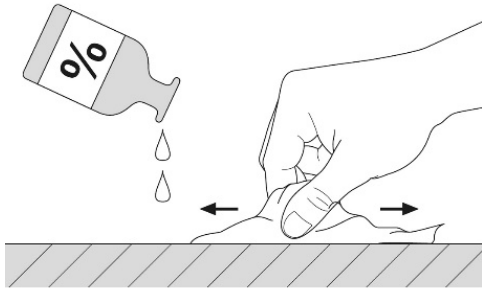
Dimension



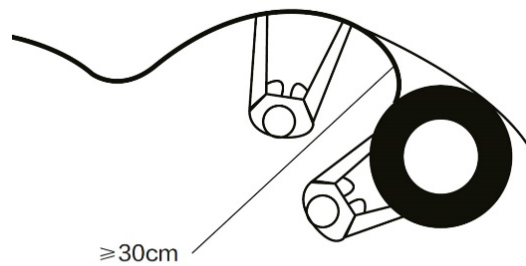
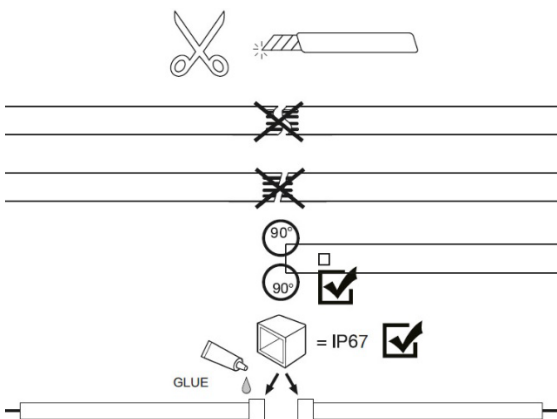
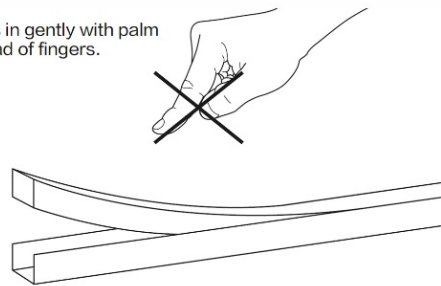
Connection



Installation



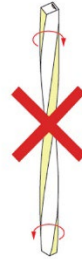
Press in gently with palm instead of fingers.



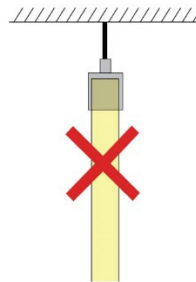
Two Person Installation

Instructions

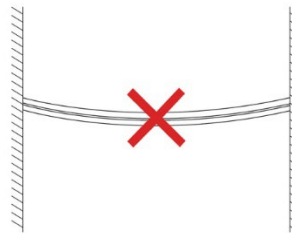
Do not twist the LED-strip



Do not suspend the connection cable



Do not leave the LED-strip hanging in the air



Do not trample on the LED-strip



Do not bend the LED-strip in a small angle

